

Product description	M16 IP40 male cable connector, Contacts: 4, 3.0 - 6.0 mm, unshielded, solder, IP40
Area	M16 IP40 series 680
Order number	09 0309 00 04

Illustration	Scale drawing	Contact arrangement (Plug-in side)

You can find the assembly instructions on the next page.

Technical data

General features

Order number	09 0309 00 04
Connector design	male cable connector
Version	connector male straight
Connector locking system	screw
Termination	solder
Degree of protection	IP40
Cross-sectional area	0.75 mm ² / AWG 18
Cable outlet	3.0 - 6.0 mm
Temperature range from/to	-40 °C / 85 °C
Mechanical operation	> 1000 Mating cycles
Weight (g)	18.299
Customs tariff number	85369010

Classifications

eCl@ss 11.1	27-44-01-09
ETIM 7.0	EC003569

Declarations of conformity

Low Voltage Directive	2014/35/EU (EN 60204-1:2018;EN 60529:1991)
-----------------------	--

Electrical parameters

Rated voltage	250 V
Rated impulse voltage	1500 V
Rated current (40 °C)	6 A
Insulation resistance	≥ 10 ¹⁰ Ω
Pollution degree	1
Overvoltage category	I
Insulating material group	III
EMC compliance	unshielded

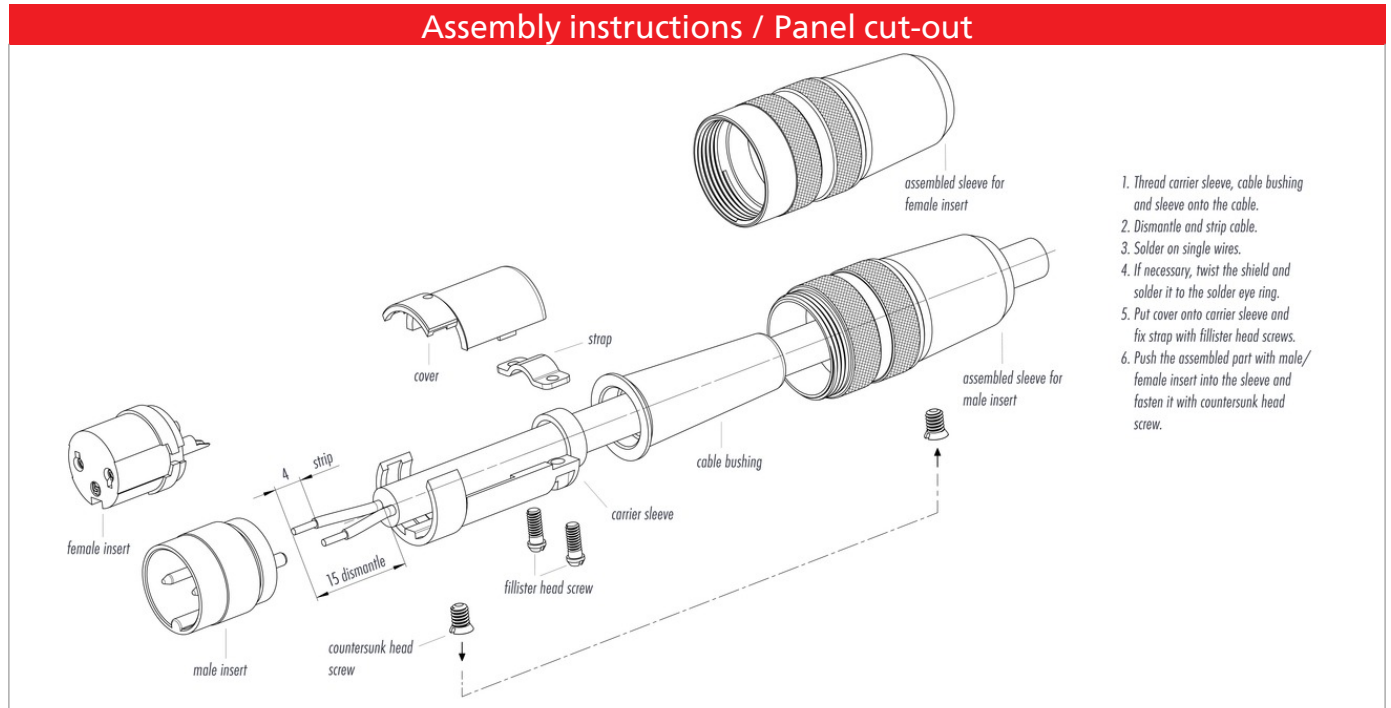
Material

Housing material	PA
Contact body material	PBT (UL94 V-0)
Contact material	CuZn (brass)
Contact plating	Ag (silver)
REACH SVHC	CAS 7439-92-1 (Lead)

Product description **M16 IP40 male cable connector, Contacts: 4, 3.0 - 6.0 mm, unshielded, solder, IP40**

Area **M16 IP40 series 680**
 Order number **09 0309 00 04**

Assembly instructions / Panel cut-out



Product description	M16 IP40 male cable connector, Contacts: 4, 3.0 - 6.0 mm, unshielded, solder, IP40
Area	M16 IP40 series 680
Order number	09 0309 00 04

Security notices

The connector must not be plugged or unplugged under load. Non-observance and improper use can result in personal injury.

The connectors have been developed for applications in plant engineering, control and electrical equipment construction. The user is responsible for checking whether the connectors can also be used in other areas of application.

Connectors which are used in circuits with voltages dangerous to the touch may only be installed and used by, or under the supervision of, persons with electrical engineering training, taking into account the applicable regulations and standards.

The plug connector is not suitable for mains voltages. Please observe the pollution degree and the overvoltage category. For further information, please refer to the download center "Technical Information".

To lock the cable connector with the device connector, the threaded ring is tightened "hand-tight" (approx. 50 cNm).