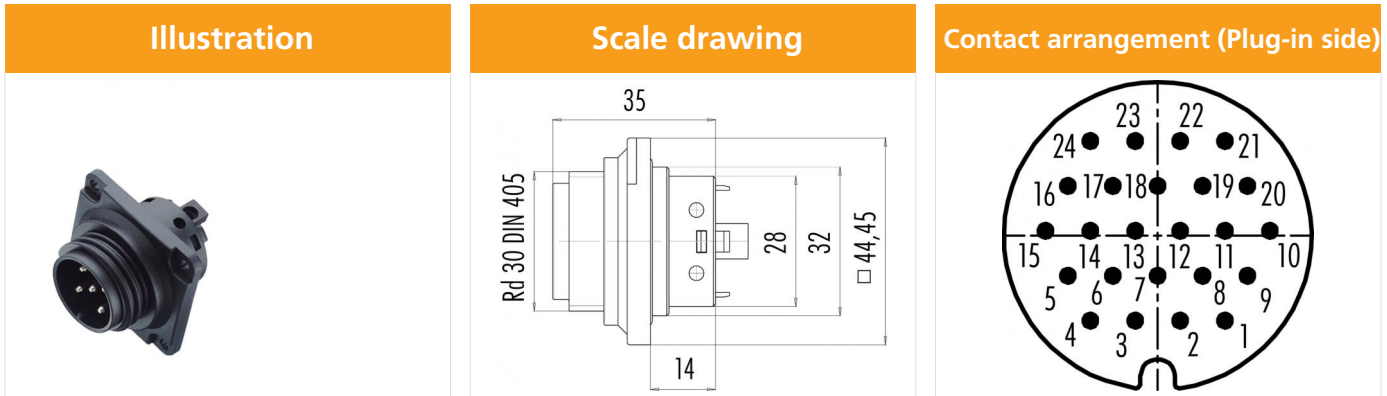


Product description	RD30 male panel mount connector, Contacts: 24, unshielded, solder, IP65
Area	RD30 series 694
Order number	99 0739 00 24



You can find the assembly instructions on the next page.

Technical data

General features

Order number	99 0739 00 24
Connector design	male panel mount connector
Version	connector male straight
Connector locking system	screw
Termination	solder
Degree of protection	IP65
Cross-sectional area	max. 0.25 mm ² / max. AWG 24
Temperature range from/to	-40 °C / 100 °C
Mechanical operation	> 500 Mating cycles
Weight (g)	27.977
Customs tariff number	85369010

Material

Housing material	PA
Contact body material	PA (UL94 HB)
Contact material	CuZn (brass)
Contact plating	Au (gold)
REACH SVHC	CAS 7439-92-1 (Lead)

Classifications

eCl@ss 11.1	27-44-01-02
ETIM 7.0	EC002635

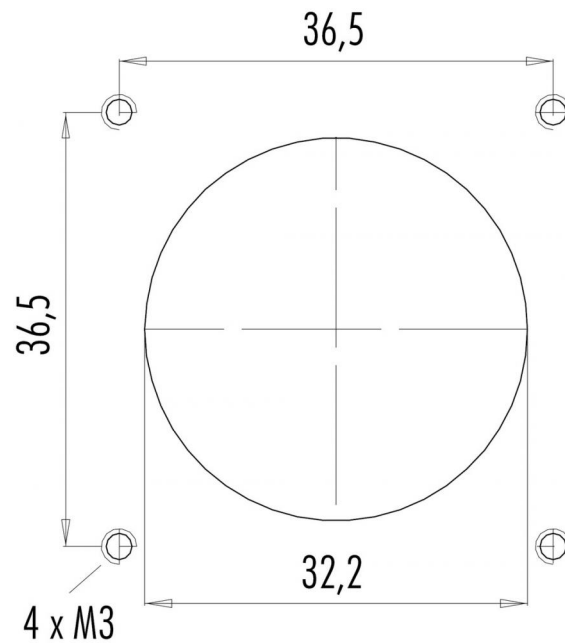
Electrical parameters

Rated voltage	125 V
Rated impulse voltage	2500 V
Rated current (40 °C)	3 A
Insulation resistance	≥ 10 ¹⁰ Ω
Pollution degree	3
Overvoltage category	III
Insulating material group	III
EMC compliance	unshielded

Product description RD30 male panel mount connector, Contacts: 24, unshielded, solder, IP65

Area RD30 series 694
Order number 99 0739 00 24

Assembly instructions / Panel cut-out



Product description	RD30 male panel mount connector, Contacts: 24, unshielded, solder, IP65
Area	RD30 series 694
Order number	99 0739 00 24

Security notices

The connector must not be plugged or unplugged under load. Non-observance and improper use can result in personal injury.

The connectors have been developed for applications in plant engineering, control and electrical equipment construction. The user is responsible for checking whether the connectors can also be used in other areas of application.

Plug connectors with enclosure protection IP 67 and IP 68 are not suitable for use under water. When used outdoors, the plug connectors must be protected separately against corrosion. For further information on the IP protection classes, please refer to the "Technical Information" download centre.